



Signage

LED Light Boxes and Tension Fabric Displays

Stylmark continues to add to our lighted signage products & graphic display capabilities. Stylmark's graphic solutions product line includes a broad offering of backlit displays, light boxes, edge-lit displays, and frameless fabric displays.

Transparency Frames

Stylmark aluminum transparency frames hold graphics between two glazing panels and can be backlit to dramatically highlight your product or message.

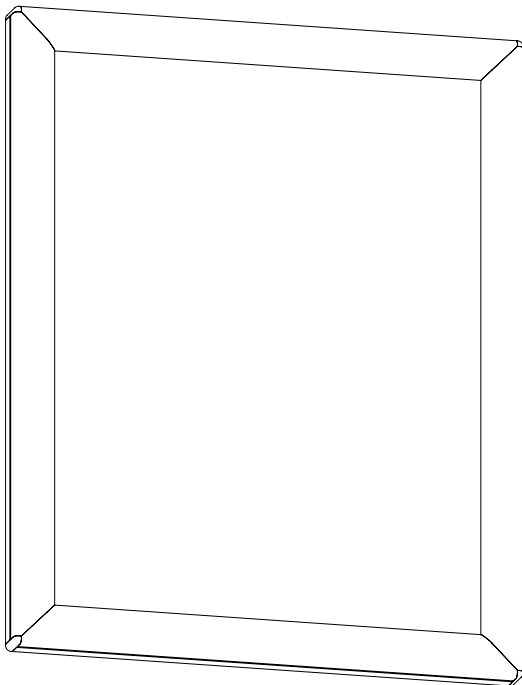
Optima LED Light Boxes	<u>2</u>
Tension Fabric LED Light Boxes	<u>3</u>
Non-Lit StretchFrame TFD	<u>4</u>
Standard Hinged Door	<u>5</u>
Heavy Duty Hinged Door	<u>6</u>
Face Frames	<u>8</u>
Hardware and Accessories	<u>9</u>

LED Edge-Lit Light Boxes

Optima 300 LED® Edge-Lit Light Box

Front-Loading Graphic with Four-Sided Snap Frame - Wall-Mount

The Optima 300 LED® Edge-Lit Light Box is designed as an economical LED edge-lit light box, available in many of the standard graphic sizes.



Optima 300 indoor light box options include:

- Advanced mechanically etched panel provides uniform illumination
- ADA Compliant - < 1" depth from wall (single-sided unit)
- Standard mitered corners with a corner insert
- Snap frame opens on all four sides for easy graphic access
- Units can be wall mounted or suspended from the ceiling (specify when ordering)
- Available stocked in four sizes
- Custom size and double-sided units are available upon request
- Standard satin natural anodized finish (black anodized finish available upon request)

Single-sided Size Range

- 72" (1829mm) x 120" (3048mm)

Double-sided Size Range

- 48" (1219mm) x 96" (2438mm)

Cabinet size

- Add 7/8" (22mm) to graphic size in each dimension

Visual Size

- Subtract 1-1/8" (29mm) from graphic size in each dimension

Graphic Size

- Light boxes are nominally sized from graphic size

Depth

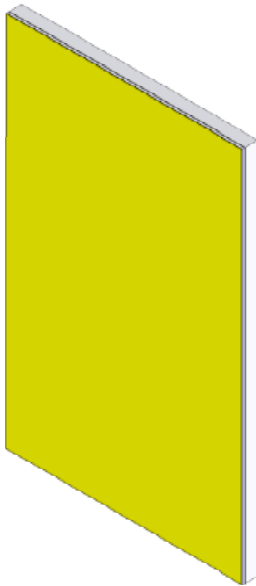
- Single-sided: 0.78" (20mm)
- Double-sided: 1.60" (41mm)

- Notes:**
- Graphics not included.
 - For interior use only.
 - Optima 300 LED® is UL Listed to US and Canadian safety standards.

LED Backlit Light Boxes

Optima LED® StretchLite 4" Deep Single-Sided

Meeting retail demands for high-impact environments, Stylmark introduces the Optima LED StretchLite Backlit Light Box to create arresting and compelling merchandise displays with tension-fabric graphics. The newest addition to Stylmark's family of Optima LED light boxes, the Optima LED StretchLite combines the brilliance and uniformity of backlit LED technology with the dramatic dimensions of tension fabric displays to help retailers, designers and visual merchandisers achieve unrivaled visual impact.



Optima LED® StretchLite Backlit Light Box features include:

- Uniform illumination throughout the display
- Three LED lighting options:
 - Optima LED 1000 Backlit
 - Optima LED 650 Backlit
 - Optima LED Perimeter-Lit
- ADA Compliant: < 4.00" depth from wall (single-sided unit)
- Frameless appearance: frames measure less than 0.075"
- Single section signs available in conventional & custom sizes up to 48" x 120"
- Integrate with other Stylmark fixtures to create custom display systems
- Change graphics quickly and easily using silicone edge gasket (SEG) channel
- Multi-section configurations available (made up of multiple sections each up to 48" x 144")
- Units can be wall mounted or suspended from the ceiling (specify when ordering)

Graphic Size

- Light boxes are nominally sized from graphic size

Cabinet Size

- Same as graphic size

Depth

- Single-sided: 3.95" (100mm)

Visual Size

- Same as graphic size

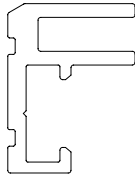
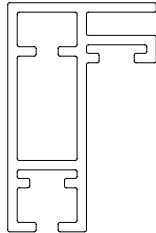
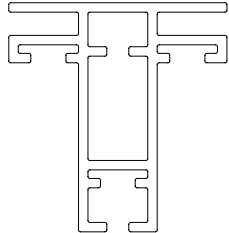
Notes:

- Graphics not included.
- For interior use only.
- Optima LED® StretchLite is UL Listed to US and Canadian safety standards.

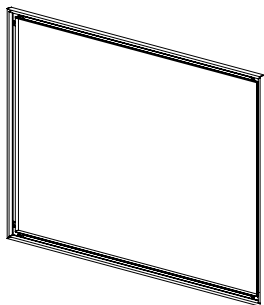
StretchFrame™

Non-lit Tension Fabric Display Frames

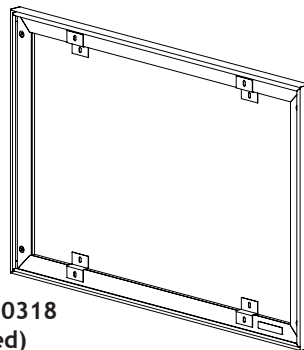
For a frameless appearance to signs and interior displays, Stylmark's offering of Tension Fabric Display (TFD) frames include non-lit options for single sided extra low-profile frames as well as for single and double sided low-profile frames to put the focus on the graphic, not the frame. Made from high quality anodized aluminum extrusions and easy-to-assemble connectors, StretchFrame™ make TFD frames easy & beautiful.

	Model #690123 Extra Low Profile	Model #690318 Low Profile	Model #690319 Low Profile
			
Depth	0.695" (17.6mm)	1.18" (30mm)	1.74" (44mm)
Application	Single-sided	Single-sided	Double-sided
Mounting	Wall Mount	Wall Mount	Hanging / Standing
Media	Tension Fabric w/ SEG	Tension Fabric w/ SEG	Tension Fabric w/ SEG
Maximum Size	96" x 96" (2.4 m x 2.4 m)	228" x 432" (5.8 m x 10.97 m)	288" x 432" (7.3 m x 10.97 m)
Connector	Steel Corners & Set Screws	Tension Lock	Tension Lock

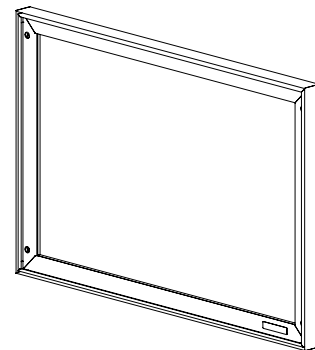
Finishes: Available in Stylmark's wide variety of anodized finish & color combinations to complement your interior décor.



Model # 690123
(single-sided)



Model # 690318
(single-sided)

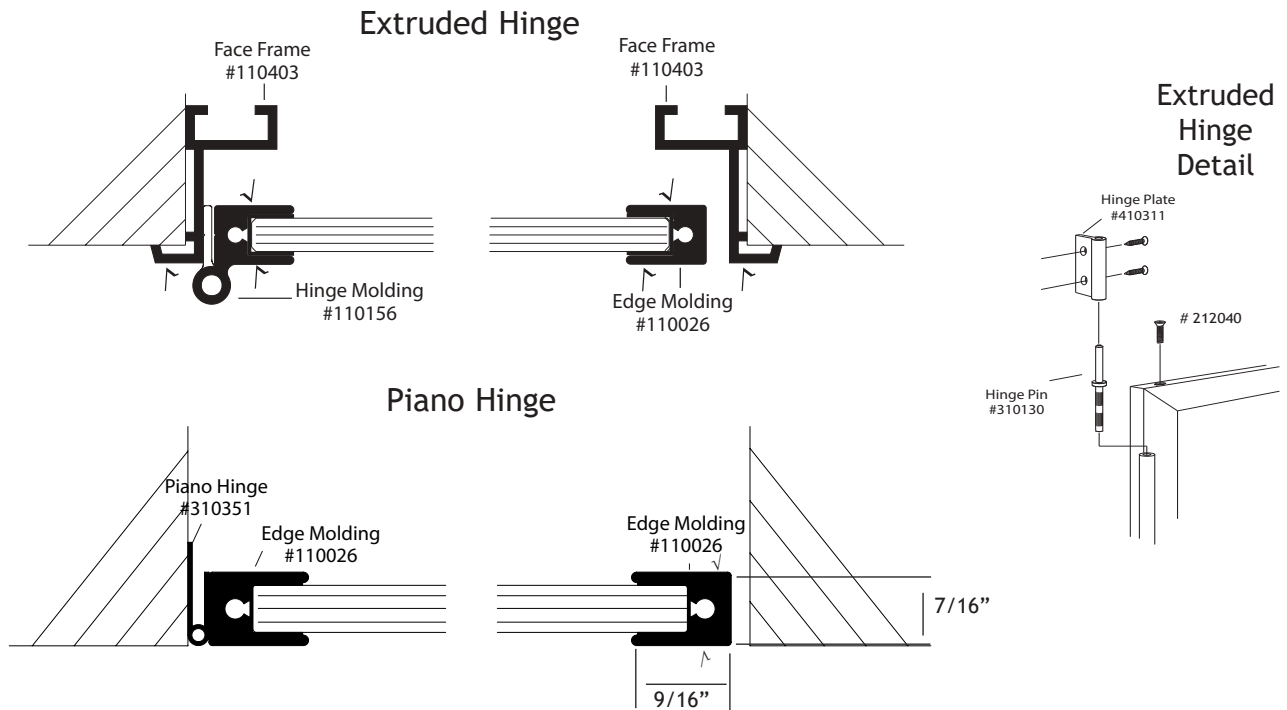
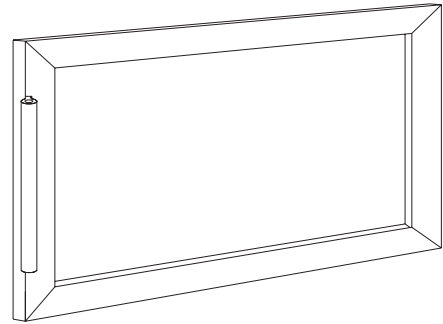


Model # 690319
(double-sided)

- Notes:**
- StretchFrame™ is custom sized per order
 - StretchFrame™ is shipped as knock-down kits
 - SEG - silicone edge gasket (1/2" x 1/8" (12.7mm x 3.175mm))
 - Tension fabric graphics are supplied by others
 - For interior use only
 - Models 690318 & 690319 frames may include interior support as required

Standard Aluminum Hinged Door Frames

Stylmark's Aluminum Standard Hinged Door Frames hold a single panel of 1/4" thick panel. The frame is constructed with a small 9/16" edge molding, creating a virtually seamless hinge. Piano hinges are also available to accommodate larger sized door frames. Locks are not available. Standard hinged door frames can be used with our face frames (as shown on page 14) for an elegant visual display that captures viewers' attention quickly.



Size Limitations	Maximum Width	Maximum Height
Extruded Hinge	24"	48"
Piano Hinge	36"	96"

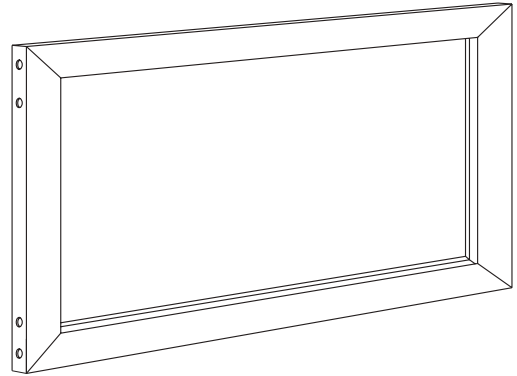
Standard Aluminum Hinged Door Frames

Model #	Description	Panel Thickness
610135	Frame with Extruded Hinge (no lock / no latch)	1/4"
610176	Frame with Piano Hinge (no lock / no latch)	1/4"

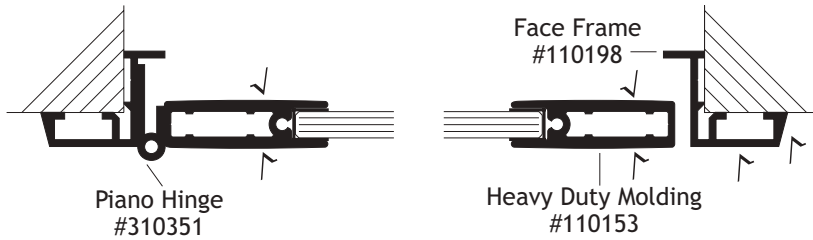
√ = finished surface

Heavy Duty Aluminum Hinged Door Frames

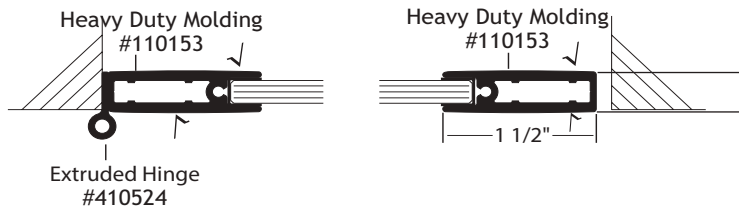
Heavy Duty Hinged Door Frames are designed for maximum durability. Recessed 5" steel corner brackets support mitered corners with ease. Piano hinges provide the extra strength larger openings require, while extruded hinges provide a clean "invisible" look for smaller openings. This frame can be used with a face frame as shown on page 10, and you can choose from either a cam lock or push-release latch. Fabricated assemblies include glazing vinyl for a 1/4" thick panel.



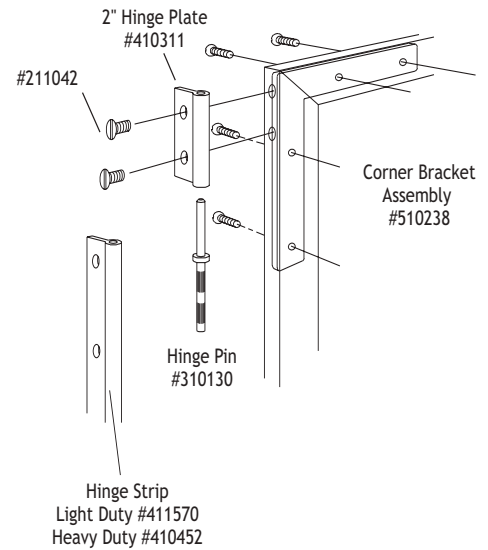
Piano Hinge



Extruded Hinge



Steel Corner Bracket and Hinge



√ = finished surface

Heavy Duty Aluminum Hinged Door Frames

Hinges

Door Frames can be ordered with either an extruded hinge or a piano hinge. Extruded hinges provide a clean “invisible” look for smaller openings. Piano Hinges supply greater strength for frames with larger openings.

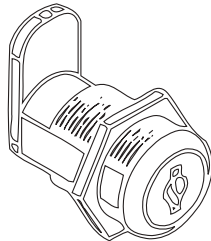
Size Limitations	Maximum Width	Maximum Height
Extruded Hinge	24”	48”
Piano Hinge	36”	96”

These size limitations apply to side hinges only. You can enlarge the width capabilities of your frame by specifying top or bottom hinges.

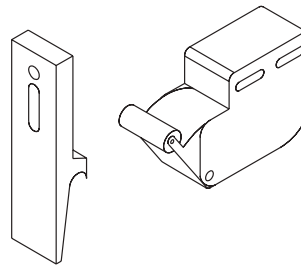
Locks/Latches

Choose from a push-release latch or a cam lock.

Part #510199
Cam Lock



Part #510349
Push Latch



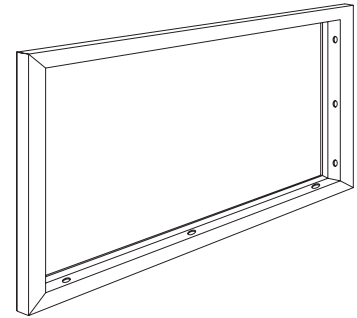
Heavy Duty Aluminum Door Frames

Model #	Description	Panel Thickness
610136	Heavy Duty Frame with Extruded Hinge and Latch	1/4”
610137	Heavy Duty Frame with Extruded Hinge and Lock	1/4”
610138	Heavy Duty Frame with Piano Hinge with Latch	1/4”
610139	Heavy Duty Frame with Piano Hinge with Lock	1/4”
610177*	Heavy Duty Frame with Extruded Hinge and Lock	1/4”

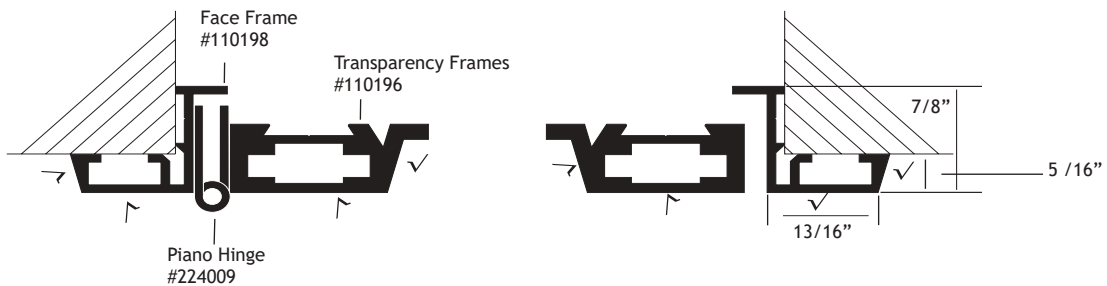
Notes: • *Model #610177 does not include a face frame.

Aluminum Face Frames

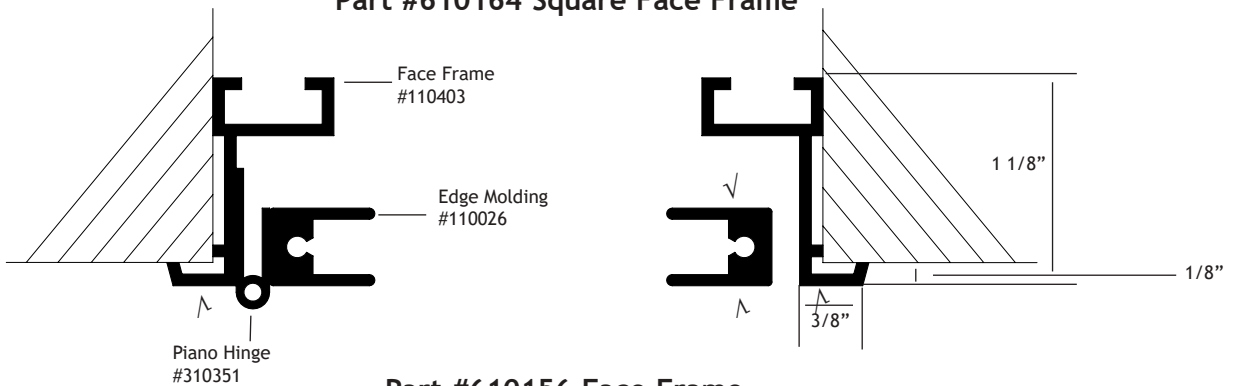
Stylmark created these decorative Face Frames to finish your rough openings with style. The Face Frame is easy to install with our Hinged Doors and Transparency Frames. Hidden steel mitered corner brackets hold corners tightly together for an attractive, seamless look.



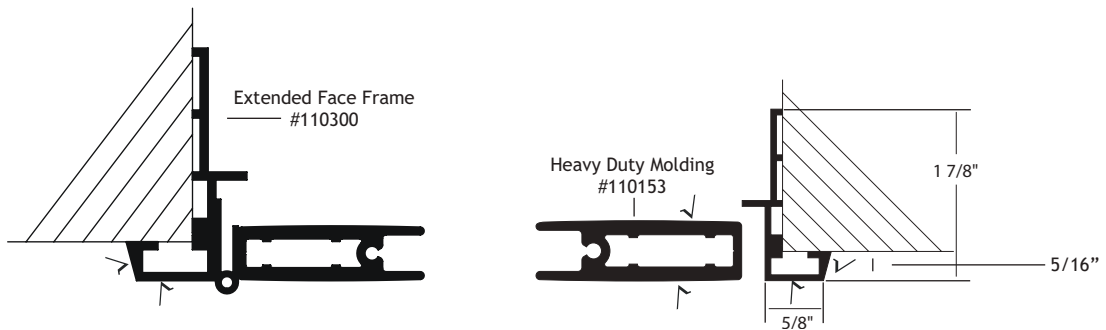
Part #610142 Face Frame



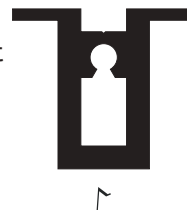
Part #610164 Square Face Frame



Part #610156 Face Frame

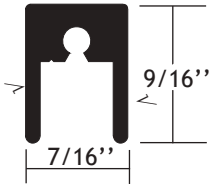


Part #110220 Mullion
This provides separation and support for multiple door systems.

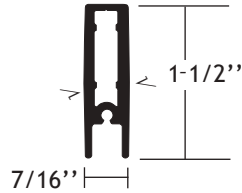


√ = finished surface

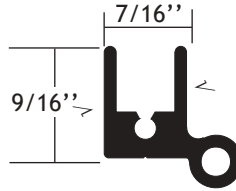
Part #110026
Edge Molding



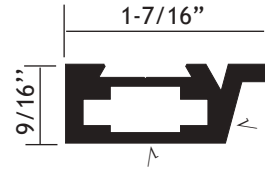
Part #110153
Heavy Duty Molding



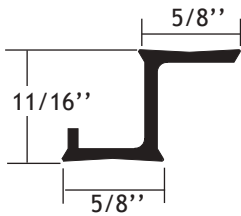
Part #110156
Hinge Molding



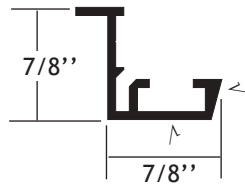
Part #110196
Transparency Frame



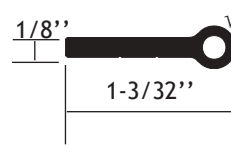
Part #110197
Z-Strip 1/2 inch Panel



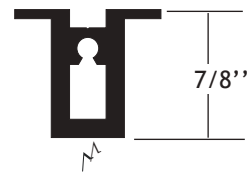
Part #110198
Face Frame



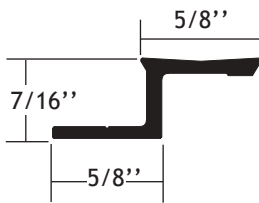
Part #110204
Heavy Duty Hinge Strip



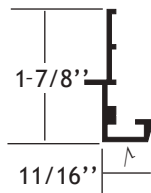
Part #110220
Face Frame Mullion



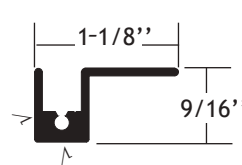
Part #110268
Z-Strip 1/4 inch Panel



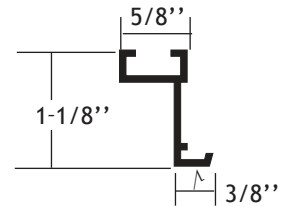
Part #110300
Extended Face Frame



Part #110341
Edge Molding w/Leg



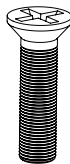
Part #110403
3/8 inch Face Frame



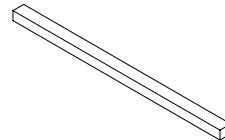
Part #211042
Flat Head Machine Screw



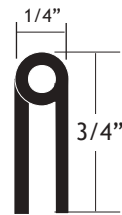
Part #212040
#6 x 5/8 Hinge Screw



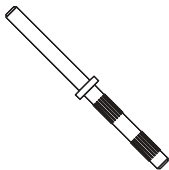
Part #226019
Foam Tape



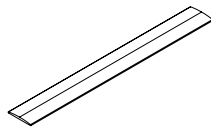
With Holes: 224008
Without Holes: 224009
1-1/2 inch Piano Hinge



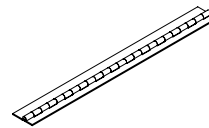
Part #310130
Hinge Pin



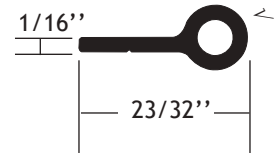
Part #310345
Glide Strip



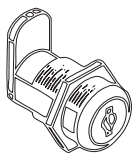
Part #310351
Piano Hinge



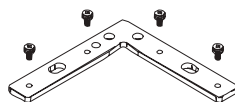
Part #410311
2 inch Hinge Plate



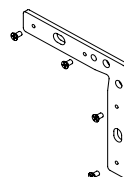
Part #510199
Chrome Cam Lock Kit



Part #510237
Corner Bracket Assembly works with #110196



Part #510238
Corner Bracket Assembly works with #110153



Part #510349
Mini Latch Assembly

